



DESCRIPTION

APZ 2422 a compact line pressure transmitters are primarily offered to OEM manufacturers at special prices and in MOQ of 50 pieces per part number. Based on a welded stainless steel silicon piezoresistive sensor, this transmitter is a great choice for the applications where elastomeric seal is not desirable. APZ 2422 a supports ZERO TRIM feature by use of ZCON 100 configurator*.

SPECIFICATIONS

Ranges: 6 bar up to 600 bar

Pressure type: gauge

Accuracy: $\pm 0.5\%$, $\pm 1\%$

Output: 4...20 mA / 2-wire

Sensor: silicon piezoresistive

Pressure port: G1/4"; G1/8"; 1/4" NPT; 1/8" NPT; 7/16"-20 UNF; other

Electrical connection: Packard Metri-Pack, DIN 43650C, AMP-Superseal 1.5, cable gland

Media temperature: -40...+125 °C

Ambient temperature: -40...+85 °C

APPLICATIONS

OEM applications

Hydraulics and pneumatics

Pumps and compressors

Industrial machinery

Transportation

HVAC/R

* ZCON 100 configurator is sold separately

Appearance, mounting kit contents and/or specifications are subject to change without prior notice. We are constantly working on further improvement of our products. Delivery is subject to standard terms of delivery.
© 2022 Piezus

TECHNICAL SPECIFICATIONS

MEASURING RANGES

Pressure range, bar Gauge	Overpressure, bar	Burst pressure, bar	Pressure range, bar Gauge	Overpressure, bar	Burst pressure, bar
0...6.0	15	20	0...100	300	450
0...10	30	40	0...160	300	450
0...16	60	80	0...250	600	800
0...25	60	80	0...400		
0...40	100	150	0...600		
0...60	150	200	-	-	-

PERFORMANCE

Accuracy, % of span*	≤ ±1 (standard) / ±0.5 (optional)
Temperature effect (% of span / 10 °C)	≤ ±0.3
Compensated range	-25...+85 °C
Power supply effect	≤ ±0.05% of span / 10 V
Load resistance effect	≤ ±0.05% of span / kOhm
Long-term stability	≤ ±0.3% of span / year
Response time (10...90%)	≤ 1 ms

* Accuracy includes non-linearity, hysteresis and non-repeatability.

OPERATING CONDITIONS

Medium temperature (depends on seal)	-40...+125 °C (depending on the seal)
Ambient temperature	-40...+85 °C
Storage temperature	-40...+85 °C
Vibration resistance	10 g RMS, 20–2000 Hz
Shock resistance	100 g / 11 ms
Service life	> 100 x 10 ⁶ cycles

MECHANICAL SPECIFICATIONS

Pressure port material	stainless steel 304 (1.4301)
Housing material	stainless steel 304 (1.4301)
Seal	welded* (-40...+125 °C)
Diaphragm	stainless steel 316L (1.4435)
Wetted parts	Diaphragm, pressure port, pressure port seal*
Pressure port	G1/4" DIN 3852; G1/8" DIN 3852; G1/4" EN 837; 1/4" NPT; 1/8" NPT; 7/16"-20 UNF

Electrical connection	Ingress protection	Cross section	Cable diameter
Packard Metri-Pack	IP67	0.75...1 mm ²	1.65...2.15 mm
DIN 43650C	IP65	≤ 0.75 mm ²	4-6 mm
AMP-Superseal 1.5	IP67	0.75...1.5 mm ²	1.7...2.4 mm
Cable gland	IP67	0.14 mm ²	4.8 mm

* G1/4", G1/8" DIN 3852 ressure port seal: FKM (-25...+135 °C) for P < 160 bar, NBR (-25...+100 °C) for P ≥ 160 bar

ELECTRICAL SPECIFICATIONS

Output signal	Power supply, U _s	Load resistance, R	Power consumption
4...20 mA / 2-wire	8...32 V	≤ [(U _s - 8 V) / 0.02 A] Ohm*	< 26 mA

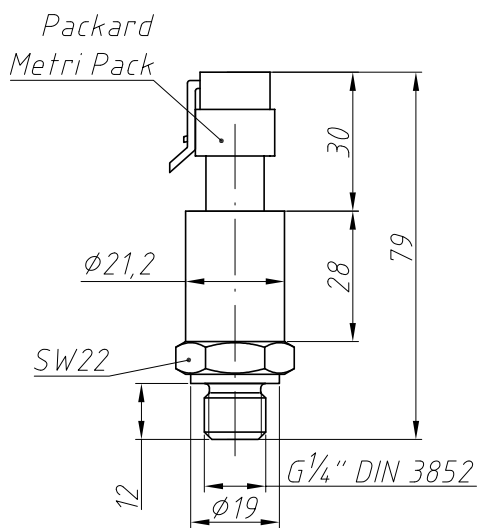
ELECTRICAL CONNECTIONS / PIN ASSIGNMENT

Circuits	Packard Metri-Pack	DIN 43650C	AMP-Superseal 1.5	Cable gland
power +	2 (B)	1	3	white
power -	1 (A)	2	2	brown
calibration (left disconnected)	3 (C)	3	1	yellow

ELECTRICAL CONNECTIONS, DIMENSIONS (mm)

Packard Metri-Pack	DIN 43650C	AMP-Superseal 1.5	Cable gland

DIMENSIONS (mm)



PRESSURE PORTS, DIMENSIONS (mm)

G1/8" DIN 3852	G1/4" DIN 3852	G1/4" EN 837
1/8" NPT	1/4" NPT	7/16"-20 UNF

ORDERING CODE

APZ 2422 a		-X	-X	-XXXX	-X	-XX	-X	-XXX	-X	-XX
MEASUREMENT TYPE										
	Gauge	G								
UNIT OF MEASUREMENT										
	bar		B							
	kg/cm ²		S							
	MPa		M							
	Other (specify when ordering)		X							
UPPER RANGE LIMIT (URL)										
	bar		MPa							
6.0	6000	0.60	0600							
10	1001	1.0	1000							
16	1601	1.6	1600							
25	2501	2.5	2500							
40	4001	4.0	4000							
60	6001	6.0	6000							
100	1002	10	1001							
160	1602	16	1601							
250	2502	25	2501							
400	4002	40	4001							
600	6002	60	6001							
Other	XXXX	Other	XXXX							
ACCURACY										
		1% (standard)	E							
		0.5% (optional)	D							
		Other (specify when ordering)	X							
ELECTRICAL CONNECTION										
	Packard Metri-Pack	60								
	Cable gland, + cable 15 cm	42								
	AMP-Superseal 1.5	17								
	DIN 43650C	12								
OUTPUT SIGNAL										
	4...20 mA / 2-wire	A								
	Other (specify when ordering)	X								
PRESSURE PORT										
	G1/4" DIN 3852	740								
	G1/4" EN 837	741								
	G1/8" DIN 3852	780								
	1/4" NPT	840								
	1/8" NPT	880								
	7/16"-20 UNF	716								
	Other (specify when ordering)	XXX								

ORDERING CODE (CONTINUED)

	APZ 2422 a	-X	-X	-XXXX	-X	-XX	-X	-XXX	-X	-XX
SEALS										
								Welded sensor* (no seal -40...+125 °C)	W	
								Other (specify when ordering)	X	
VERSION										
								Standard		00
								Zero trim (requires ZCON 100 configurator)		01
								Other (specify when ordering)		XX

* G1/4", G1/8" DIN 3852 ressure port seal: FKM (-25...+135 °C) for P < 160 bar, NBR (-25...+100 °C) for P ≥ 160 bar.

Example: APZ 2422 a-G-B-1001-D-60-A-740-F-00

ACCESSORIES

				
DZ 10 Pressure snubber	ZCON 100 Zero trim and range selection device	PZ 1024 Power supply unit		