



DESCRIPTION

APZ 2410 a compact line pressure transmitters are primarily offered to OEM manufacturers at special prices and in MOQ of 50 pieces per part number. Based on a monolithic ceramic measuring cell, highly resistive to abrasive and aggressive* media, APZ 2410 a is a good fit for the applications where hydraulic shocks (water hammer) are not present. APZ 2410 a supports ZERO TRIM feature by using ZCON 100 configurator**.

SPECIFICATIONS

Ranges: 1 bar to 40 bar

Pressure type: gauge

Accuracy: $\pm 1\%$

Output: 4...20 mA / 2-wire

Sensor: ceramic thick film

Pressure port: G1/4"; G1/8"; 1/4" NPT; 1/8" NPT; 7/16"-20 UNF; other.

Electrical connection: Packard Metri-Pack, DIN 43650C, AMP-Superseal 1.5, cable gland

Media temperature: -25...+135 °C

Ambient temperature: -40...+85 °C

APPLICATIONS

OEM applications

Pneumatics

Hydraulics***

Automotive

* Please consult the manufacturer for particular media compatibility

** ZCON 100 configurator is sold separately

*** Applications without excessive hydraulic shocks

Appearance, mounting kit contents and/or specifications are subject to change without prior notice. We are constantly working on further improvement of our products.
Delivery is subject to standard terms of delivery.
© 2022 Piezus

TECHNICAL SPECIFICATIONS

MEASURING RANGES

Pressure range, bar Gauge	Overpressure, bar	Burst pressure, bar	Pressure range, bar Gauge	Overpressure, bar	Burst pressure, bar
0...1.0	4	5	0...10	40	50
0...1.6	4	5	0...16	40	50
0...2.5	10	12	0...25	100	120
0...4.0	20	25	0...40	200	250
0...6.0	20	25	-	-	-

PERFORMANCE

Accuracy, % of span*	≤ ±1
Temperature effect (% of span / 10 °C)	≤ ±0.3
Compensated range	-25...+85 °C
Power supply effect	≤ ±0.05% of span / 10 V
Load resistance effect	≤ ±0.05% of span / kOhm
Long-term stability	≤ ±0.3% of span / year
Response time (10...90%)	≤ 1 ms

* Accuracy includes non-linearity, hysteresis and non-repeatability.

OPERATING CONDITIONS

Medium temperature (depends on seal)	-25...+135 °C
Ambient temperature	-40...+85 °C
Storage temperature	-40...+85 °C
Vibration resistance	10 g RMS, 20–2000 Hz
Shock resistance	100 g / 11 ms
Service life	> 100 x 10 ⁶ cycles

MECHANICAL SPECIFICATIONS

Pressure port material	stainless steel 304 (1.4301)
Housing material	stainless steel 304 (1.4301)
Seal	FKM (-25...+135 °C)
Diaphragm	ceramics Al ₂ O ₃ 96%
Wetted parts	Diaphragm, pressure port, seal
Pressure port	G1/4" DIN 3852; G1/8" DIN 3852; G1/4" EN 837; 1/4" NPT; 1/8" NPT, 7/16"-20 UNF

Electrical connection	Ingress protection	Cross section	Cable diameter
Packard Metri-Pack	IP67	0.75...1 mm ²	1.65...2.15 mm
DIN 43650C	IP65	≤ 0.75 mm ²	4-6 mm
AMP-Superseal 1.5	IP67	0.75...1.5 mm ²	1.7...2.4 mm
Cable gland	IP67	0.14 mm ²	4.8 mm

ELECTRICAL SPECIFICATIONS

Output signal	Power supply, U _s	Load resistance, R	Power consumption
4...20 mA / 2-wire	8...32 V	≤ [(U _s - 8 V) / 0.02 A] Ohm	< 26 mA

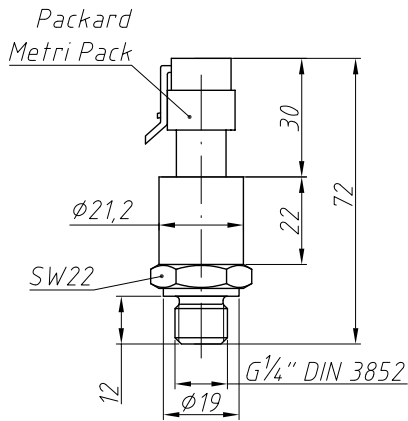
ELECTRICAL CONNECTIONS / PIN ASSIGNMENT

Circuits	Packard Metri-Pack	DIN 43650C	AMP-Superseal 1.5	Cable gland
power +	2 (B)	1	3	white
power -	1 (A)	2	2	brown
calibration (left disconnected)	3 (C)	3	1	yellow

ELECTRICAL CONNECTIONS, DIMENSIONS (mm)

Packard Metri-Pack	DIN 43650C	AMP-Superseal 1.5	Cable gland

DIMENSIONS (mm)



PRESSURE PORTS, DIMENSIONS (mm)

G1/8" DIN 3852	G1/4" DIN 3852	G1/4" EN 837
1/8" NPT	1/4" NPT	7/16"-20 UNF

ORDERING CODE

APZ 2410 a		-X	-X	-XXXX	-X	-XX	-X	-XXX	-X	-XX
MEASUREMENT TYPE										
	Gauge	G								
UNIT OF MEASUREMENT										
	bar		B							
	kg/cm ²		S							
	MPa		M							
	Other (specify when ordering)		X							
UPPER RANGE LIMIT (URL)										
	bar, kg/cm ²			MPa						
1.0	1000		0.1	0100						
1.6	1600		0.16	0160						
2.5	2500		0.25	0250						
4	4000		0.4	0400						
6	6000		0.6	0600						
10	1001		1.0	1000						
16	1601		1.6	1600						
25	2501		2.5	2500						
40	4001		4.0	4000						
Other	XXXX		Other	XXXX						
ACCURACY										
			1% (standard)	E						
			Other (specify when ordering)	X						
ELECTRICAL CONNECTION										
	Packard Metri-Pack			60						
	DIN 43650C			12						
	AMP-Superseal 1.5			17						
	Cable gland, + cable 15 cm			42						
OUTPUT SIGNAL										
			4...20 mA / 2-wire	A						
			Other (specify when ordering)	X						
PRESSURE PORT										
			G1/4" DIN 3852	740						
			G1/4" EN 837	741						
			G1/8" DIN 3852	780						
			1/4" NPT	840						
			1/8" NPT	880						
			7/16"-20 UNF	716						
			Other (specify when ordering)	XXX						
SEALS										
			FKM (-25...+135 °C)	F						
			Other (specify when ordering)	X						
VERSION										
			Standard	00						
			Zero trim (requires ZCON 100 configurator)	01						
			Other (specify when ordering)	XX						

Example: APZ 2410 a-G-B-6000-E-60-A-740-F-00

ACCESSORIES

				
DZ 10 Pressure snubber	ZCON 100 Zero trim and range selection device	PZ 1024 Power supply unit		