



DESCRIPTION

ANZ 200 is a plug-in display compatible with any transmitter equipped with an industry standard DIN 43650A connector powered from the 4-20 mA loop. Graphics bright OLED display features measurement reading scaled according to user's preferences and units, as well as provides access to the archive for the last hour, day, month and quarter. ANZ 200 is a versatile instrument that is very easy to install, as it just plugs in between the transmitter and its connector and does not require any power supply, and easy to use due to its intuitive on-screen menu. Optionally, it can be equipped with a PNP switch output with configurable setpoints and trigger modes.

SPECIFICATIONS

Compatibility: 4-20 mA transmitters with DIN 43650A connectors

Power: powered from the 4-20 mA loop, no extra power supply needed

Display: graphics OLED, 320 / 310° rotatable in 2 axis

Range: -1999...+9999

Features: min/max values, selectable units and decimal point, HART® archive, averaging

Ingress protection: IP65

Optional: PNP switch output

APPLICATIONS

Local measurement reading

Laboratory equipment

Control and alarm switching

Test rigs

Peak values monitoring

* does not hinder transmission via HART® when attached to a HART®-enabled transmitter (4 ... 20 mA/HART® output signal)

Appearance, mounting kit contents and/or specifications are subject to change without prior notice. We are constantly working on further improvement of our products.
Delivery is subject to standard terms of delivery.
© 2022 Piezus

TECHNICAL SPECIFICATIONS

PERFORMANCE

Displayed values range	-1999...9999
Accuracy	± 0.1 % of span ±1 digit
Settling time	< 1 s (with damping disabled)
Response time	≤ 100 ms
* Accuracy includes non-linearity, hysteresis and non-repeatability.	

OPERATING CONDITIONS

Ambient temperature	-25...+85 °C
Storage temperature	-40...+85 °C
Vibration resistance	5 g RMS (20...2000 Hz)
Shock resistance	100 g / 11 ms

MECHANICAL SPECIFICATIONS

Housing material	PA 6.6; polycarbonate
Electrical connection	DIN 43650A
Housing ingress protection	IP65
Overall dimensions, max	78×69×48 mm
Weight, max	0.11 kg

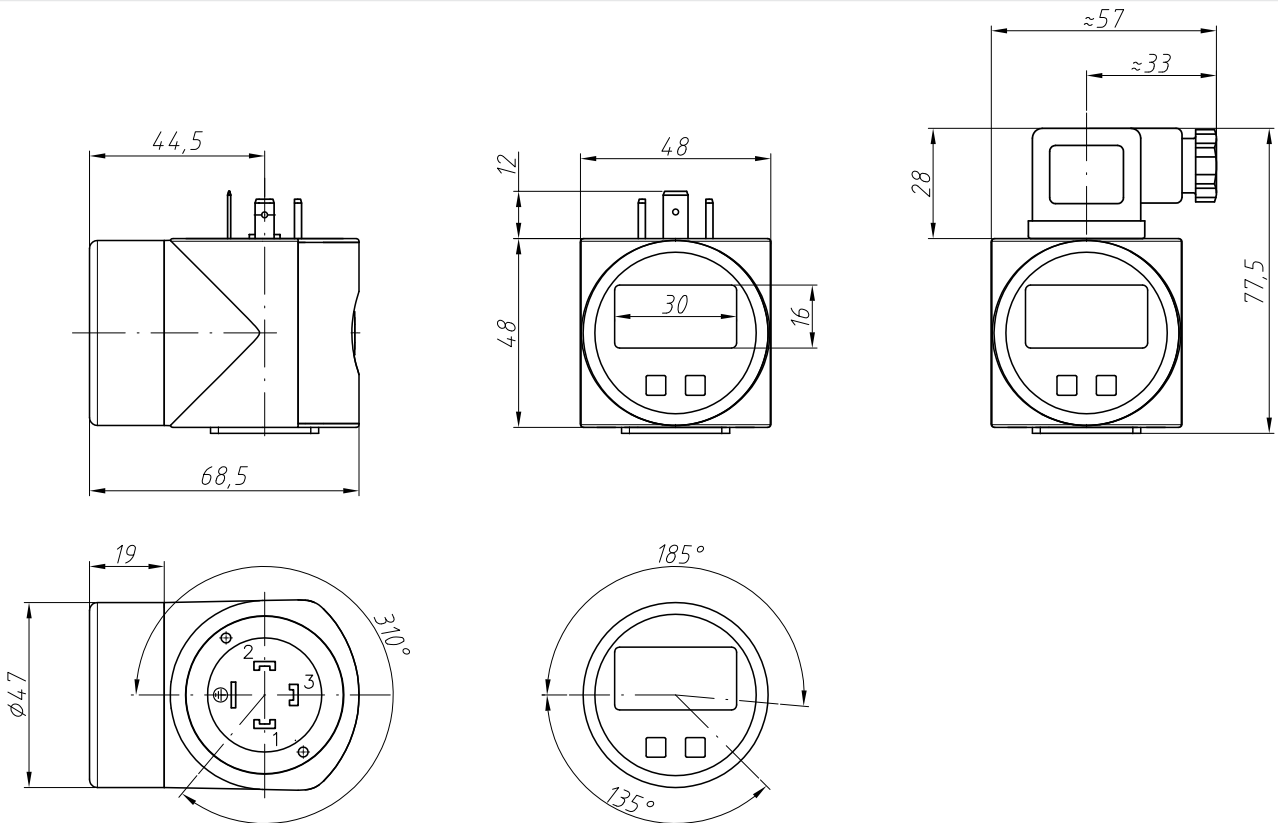
DIGITAL DISPLAY

Display type	OLED, 128x64 pixels (30x16 mm)
Values displayed	bar, mbar, MPa, kPa, Pa, psi, mmHg, mH ₂ O, ftH ₂ O, %, °C, mA, user

ELECTRICAL SPECIFICATIONS

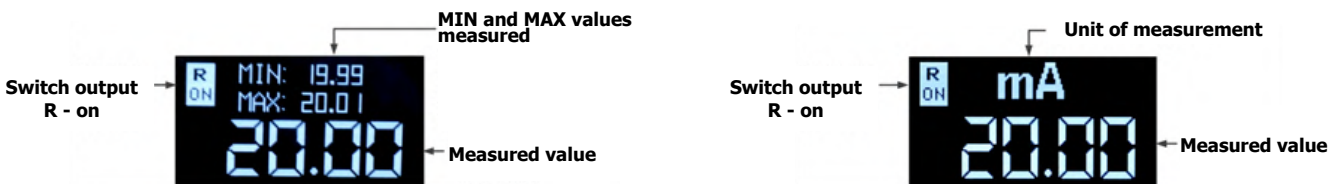
Power, max	0.13 W
Supply	U _S + 6.5 V (U _S is transmitter's power supply)
Input and output parameters	
Input signal	4...20 mA / 2-wire
Analog output	
Output signal	4...20 mA / 2-wire
Relay output	
Number of relays outputs	one (optional)
Type of switch contact	PNP transistor switch (open collector)
Max switching voltage	36 V (DC)
Switching current (DC)	≤ 30 mA
Voltage drop	≤ 1.5 V
Switch operating modes (configurable)	hysteresis / window
Switching delay (programmable)	0...100 s
Switch output action repeatability	≤ ±0.1 % of span
Switching accuracy*	≤ ±0.5 % of span
Switching frequency, max	10 Hz

DIMENSIONS (mm)



FRONT PANEL ELEMENTS

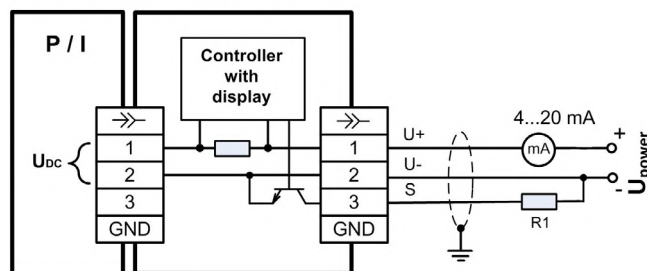
There are two control buttons on the front panel of the device, Δ (UP) and ∇ (DOWN), They allow toggling through the data display variations available. Press both control buttons simultaneously to enter setup mode; do the same to save the values changed when finished setting up. Press and hold the buttons simultaneously to return to the previous screen or exit the setup mode.



Data display variations examples

APPLICATION CONNECTIONS

Transmitter Indicator ANZ 200



ORDERING CODE

ANZ 200	-X	-XX	-XX	-X	-X	-XX
OUTPUT SIGNAL						
4...20 mA / 2-wire (standard)	A					
Other (specify when ordering)	X					
ELECTRICAL CONNECTION FROM TRANSMITTER'S SIDE						
DIN 43650A		10				
Other (specify when ordering)	X					
ELECTRICAL CONNECTION FROM CONNECTOR'S SIDE						
DIN 43650A		10				
Other (specify when ordering)	X					
NUMBER OF SWITCH OUTPUTS						
			no	0		
			one	1		
UNIT OF MEASUREMENT						
				bar	B	
				mbar	R	
				MPa	M	
				kPa	K	
				Pa	L	
				kg/cm ²	S	
				mH ₂ O	W	
				mmHg	H	
				%	N	
				°C	D	
				mA	Y	
				Other (specify when ordering)	X	
VERSION						
				Standard (IP65)		00
				Other (specify when ordering)		XX

Example: ANZ 200-A-10-10-1-B-00